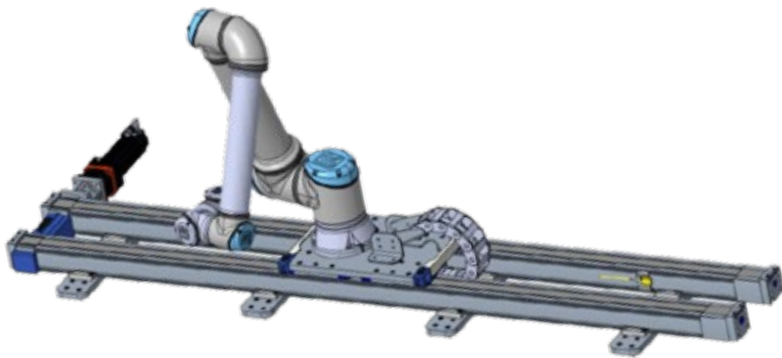


Get moving with the first collaborative 7th axis

The Thomson MovoTrak CTU cobot transfer unit is a plug-and-play system with up to 10 meters of horizontal operating range, which can help boost productivity for various robotic functions. With flexible mounting options, it's compatible with the largest sized cobots on the market, including Universal Robots' UR20.



Features & Benefits

- User-adjustable collision detection settings allow users to set the sensitivity of the 7th axis per the application requirements.
- Collision monitoring/safeguard stops initiated through digital I/O with minimal processing required from the UR controller.
- Freedrive allows hand-driven movements to set linear waypoints during programming.
- Dual-linear-unit design delivers maximum moment load and stiffness, even when the cobot arm is fully extended.

Applications

- Machine tending
- Material handling (bin picking, palletizing and packaging)
- Large-scale welding, soldering, sanding and dispensing

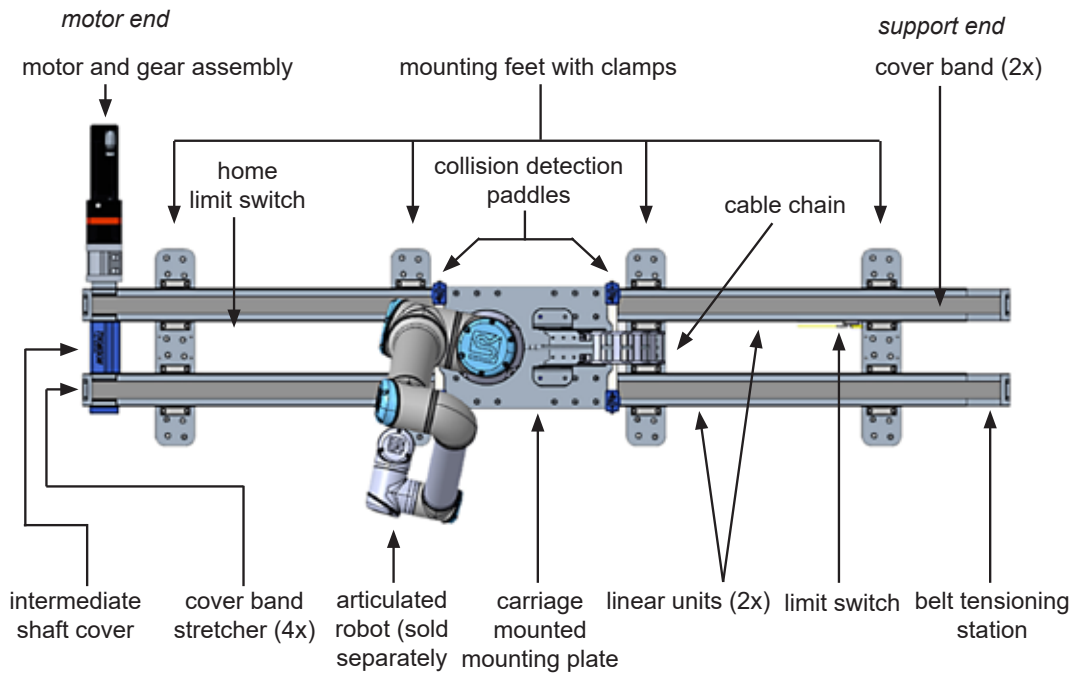
Additional Resources

- [Watch](#) the MovoTrak CTU in action
- [Sign up](#) for live training/virtual design consultation





7th Axis Mechanical Assembly



Assembly includes Movotrak control box and URCap with 7th axis sensitivity adjustment



Ordering Key

Position	1	2	3	4	5
Example	CTU07	B	R	02000	UR10
1. CTU type and size CTU07 = Movotrak CTU size 07 (Movopart M75 linear unit)	2. Drive type B = belt drive		3. Motor configuration		
	left / right		4. Stroke length xxxxx = stroke in millimeters		
			5. Type and size of articulated robot UR03 = Universal Robot UR3e UR05 = Universal Robot UR5e UR10 = Universal Robot UR10e UR16 = Universal Robot UR16e UR20 = Universal Robot UR20		

Notes

- Repeatability of $\pm 25 \mu\text{m}/\text{m}$ of stroke.
- Light washdown options available.
Contact Thomson for details.

www.thomsonlinear.com

Movotrak_CTU_BRUK-0050-01 | 20231108SK
Specifications are subject to change without notice. It is the responsibility of the product user to determine the suitability of this product for a specific application. All trademarks property of their respective owners. ©2023 Thomson Industries, Inc.



Linear Motion. Optimized.™

A REGAL REXNORD BRAND